

# SOLAR Array Water Heater Activity

## Big Bang 2010

Objective:

Design and assemble the solar water heater from available parts

Plot a graph of temperature vs time

Duration: 30 mins

Apparatus as page 2

The winner/s will be those 4 teams over the 3 days of the Big Bang event who raise the temperature of the water by the most over the allotted time frame.

Rules:

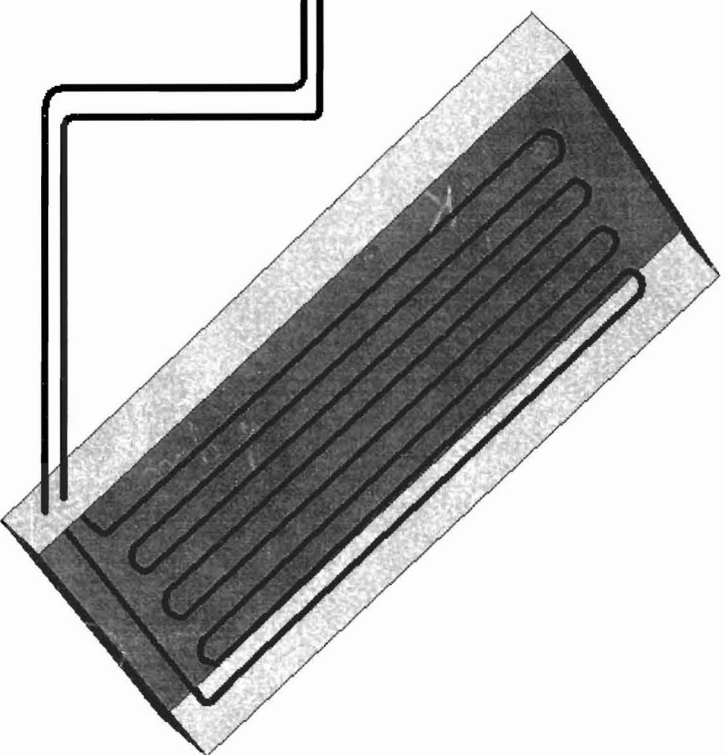
The water hose must be assembled in the frame

The completed assembly will be checked for safety before the power is applied to the heater.

The tank must be positioned in the "shadow" of the frame.

The "solar panel" is to be positioned at a minimum distance of 300mm from the heater

**Hose Array**



**Halogen  
Heater**

